

TO : TAIWAN FUJI TRADING CO., LTD.

YA HORNG ELECTRONIC CO., LTD.



REQUEST FOR APPROVAL	
<u>STEREO PHONOGRAPH CARTRIDGE</u> <u>MAGNETIC CARTRIDGE</u>	
CUSTOMER'S MODEL NO.	:
CUSTOMER'S CODE NO.	:
OUR MODEL NO.	: MG-2861

APPROVED BY

唱頭	
料號:	CR2861
機種:	DI-100B.58D
85.2.28	
核准	核准
孫炳勳	孫炳勳
亞弘電器工業股份有限公司 開發課	

(唱針)
CRN2861-1

CHUO DENSHI KOGYO CO., LTD.
1419 YOSHIDA, OIZUMI-MACHI, GUNMA-KEN, JAPAN
TEL: 0276-62-3431
FAX: 0276-62-2146 (81-276-62-2146)

Date of Issue : FEB - 05 - 1996			
Appr. 	Checked	Checked 	Drwg.

PRODUCT SPECIFICATIONS

NAME	STEREO PHONOGRAPH CARTRIDGE	CUSTOMER'S MODEL NO.	
		OWN'S MODEL NO.	MG-2861
		REPLACEMENT STYLUS NO.	CN-259

GENERAL

- The purpose of this specifications is to make product whose the stable and constant performance.
- This specifications is applied to above MODEL NO, of a cartridge.
- Type of generating element is moving magnetic stereo.

PHYSICAL DESCRIPTION

	Item	Specifications
1).	DIMENSIONS	See drawing of above MODEL NO, MG-2861
2).	WEIGHT	4.3 g (± 0.4 g)
3).	BODY COLOUR	BLACK
4).	STYLUS KNOB COLOUR	ORANGE (ABS)
5).	STYLUS TIP	Bonded diamond, 0.6 mil. (Radius of sphere)
6).	TRACKING FORCE	3.0 g (2.5 ~ 3.5 g)
7).	APPEARANCE	No greatly defect as scratch, stain, dent, and so on.

PERFORMANCE SPECIFICATIONS

	Item	Specifications
1).	OUTPUT VOLTAGE (at 1KHz, 3.54cm/s)	2.4 mV ± 3 dB
2).	CHANNEL BALANCE (at 1KHz, 3.54cm/s)	2.5 dB or less
3).	CHANNEL SEPARATION (at 1KHz)	24 dB (16 dB or more)
4).	FREQUENCY RESPONSE (at 10KHz)	-1.5 dB ± 4 dB
	(at 50~20KHz)	See chart at page 2 of 3
5).	DYNAMIC COMPLIANCE (at 100Hz, LATERAL)	4.5 $\times 10^{-6}$ cm/dyne or more
	(at Hz, VERTICAL)	$\times 10^{-6}$ cm/dyne or more
6).	TRACKING ABILITY (at 315Hz, LATERAL, 3.0g)	90 μ m (70 μ m or more OK)
7).	PHASE AND POLARITY	Same phase and positive polar-
	(at 370Hz, lateral square wave)	ity
8).	RECORD CLEARANCE (at MAX, tracking force)	0.8 mm (0.5 mm or more)
9).	PULLING FORCE OF THE STYLUS KNOB	100 ~ 1.200 g
10).	INTERNAL RESISTANCE	300 Ω ± 70 Ω
11).	ELECTRIC IMPEDANCE (at 1KHz)	1,200 Ω ± 300 Ω
12).	INSURATION RESISTANCE (at 25V, DC)	5 M Ω or more
13).	GROUND RESISTANCE (R ch. \ominus terminal-body)	1.5 Ω or less
14).	ACCESSORIES	

NOTE : Test record as shown on page 2 of 3.

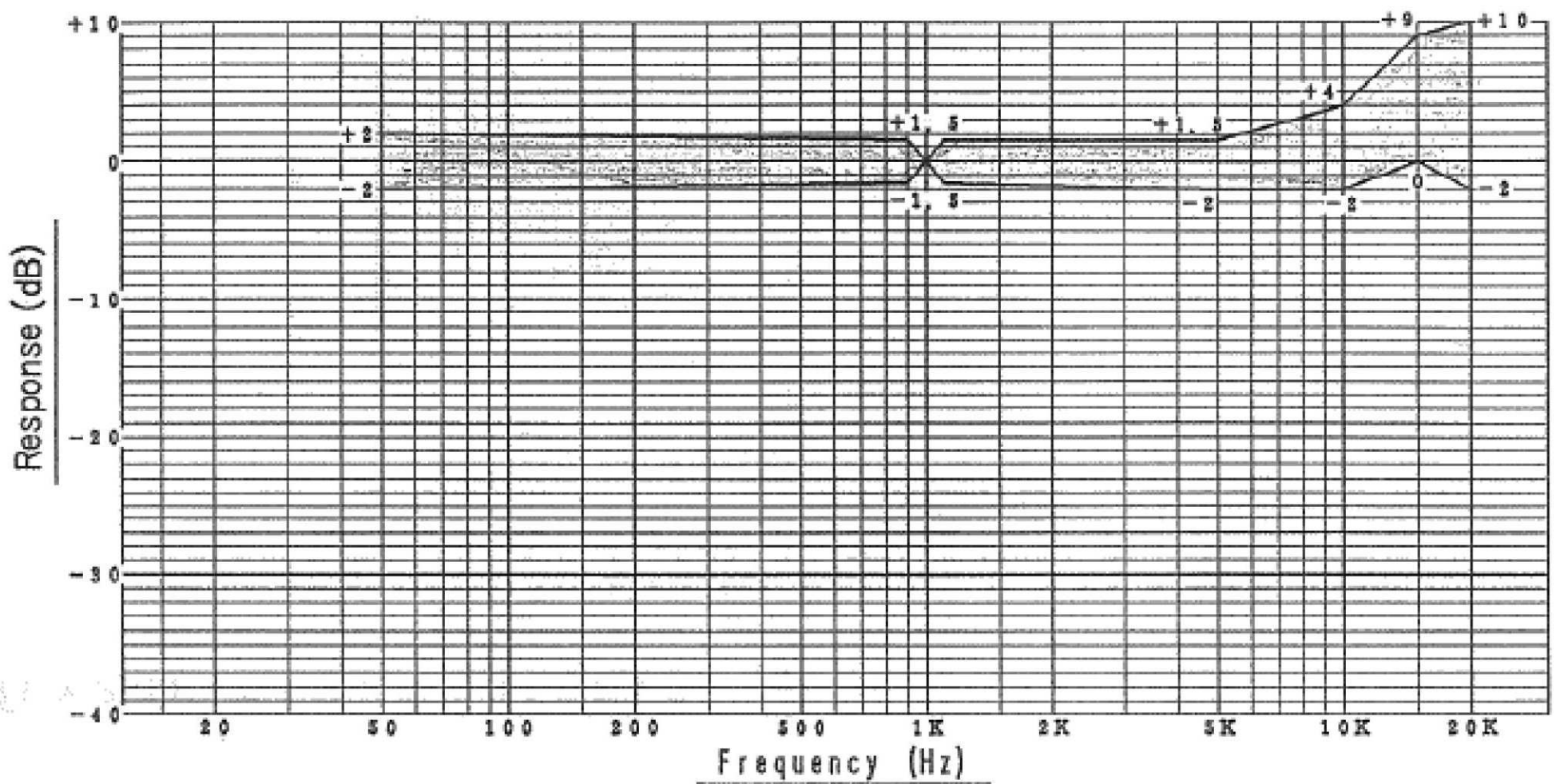
DATE	FEB. 2, 1996	REV.	
DRWG.	CHKD.	APPRO.	
			CHUO DENSHI KOGYO CO., LTD. (OIZUMI, GUNMA pref., JAPAN)

PRODUCT SPECIFICATIONS

NAME	STEREO PHONOGRAPH CARTRIDGE	CUSTOMER'S MODEL NO.	
		OWN'S MODEL NO.	MG-2861
		REPLACEMENT STYLUS NO.	CN-259

FREQUENCY RESPONSE SPECIFICATION

- Test conditions : 20°C temperature, 65%RH relative humidity
- Load resistance : 47KΩ
- Load capacitance : 200pF
- Test record : TRS-1007 (JVC)
- Tracking force : 3.0 grams



TEST RECORD

	Test record	Measuring item
1).	JVC TRS-1004	OUTPUT VOLTAGE, CHANNEL BALANCE, CHANNEL SEPARATION, FREQUENCY RESPONSE (at 10KHz), PHASE AND POLARITY
2).	JVC TRS-1007	FREQUENCY RESPONSE (at 50~20KHz)
3).	CBS CTC-300/STR-100	DYNAMIC COMPLIANCE
4).	DIN 45549	TRACKING ABILITY

STANDARD TEST CONDITIONS

- Perform the test at temperature of 20°C and relative humidity of 65%RH.
- TEMPERATURE CHARACTERISTICS (Page 3 of 3) shows the change of output voltage under the temperature 5°C~35°C for your reference.

DATE	FEB. 2, 1996	REV.	
DRWG.	CHKD.	APPRO.	
CHUO DENSHI KOGYO CO., LTD. (OIZUMI , GUNMA pref. , JAPAN)			

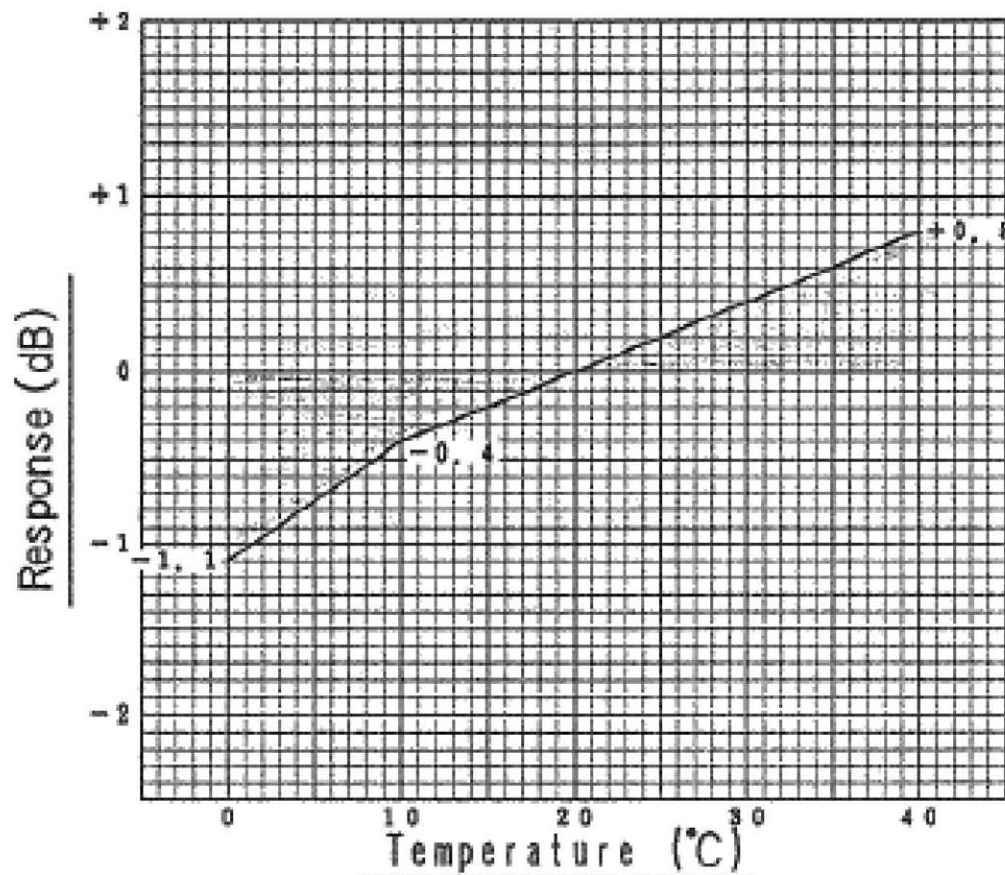
PRODUCT SPECIFICATIONS

NAME	STEREO PHONOGRAPH CARTRIDGE	CUSTOMER'S MODEL NO.	
		OWN'S MODEL NO.	MG-2861
		REPLACEMENT STYLUS NO.	CN-259

TEMPERATURE CHARACTERISTICS

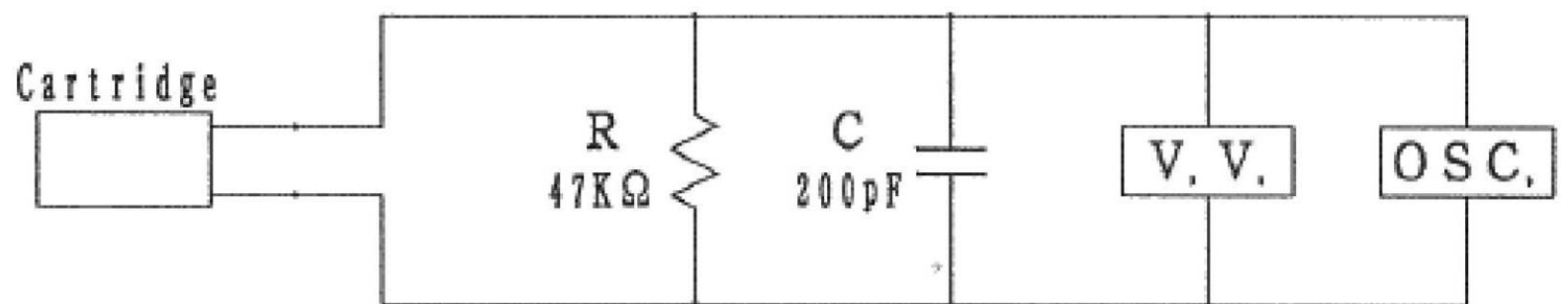
1KHz output level

Test record : TRS-1004 (JVC)



MEASUREMENT EQUIPMENT

- Should be enough reliability.
- With the cartridge installation reference surface and record disc surface parallel.
- Measure at recommended tracking force.
- See below measurement circuit diagram.



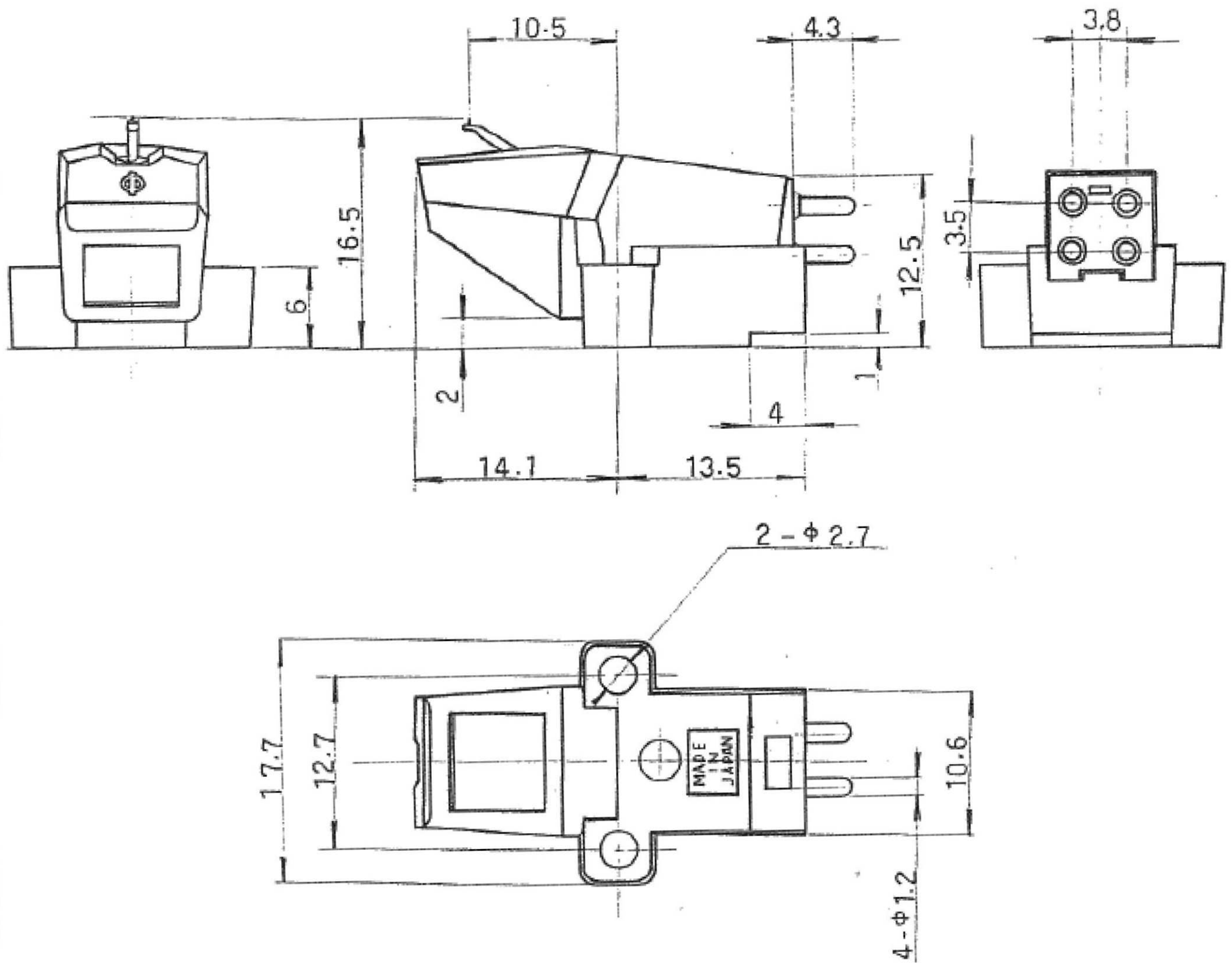
R : Load resistance - including input resistance of V. V.
 C : Load capacitance - including input capacitance of V. V. and cable's capacitance between cartridge and V. V.
 V. V. : AC millivolt meter
 OSC. : Oscilloscope

M I S C.

- In the event of discrepancies or disagreement at to content of this document, revisions shall be made after discussion between both parties.

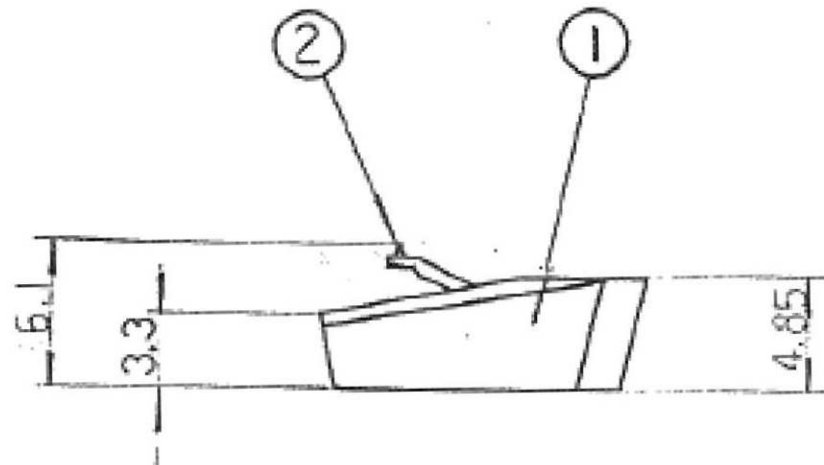
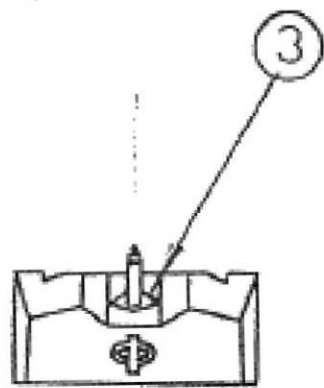
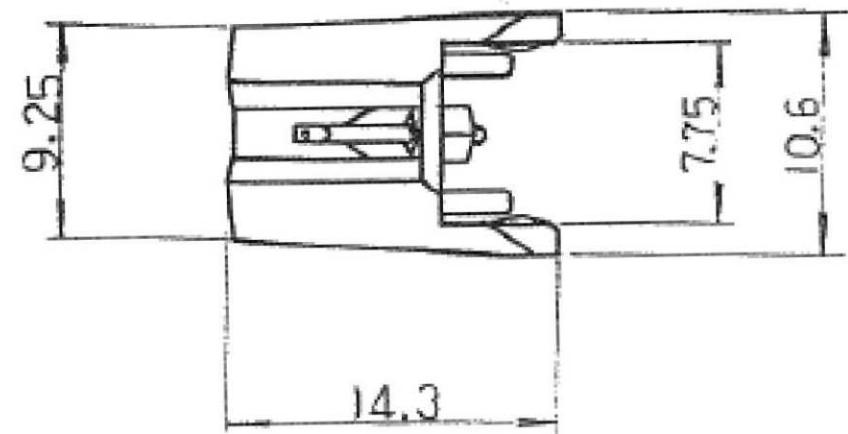
DATE	FEB. 2, 1996	REV.	
DRWG.	CHKD.	APPRO.	
CHUO DENSHI KOGYO CO., LTD. (OIZUMI , GUNMA pref. , JAPAN)			

第3角図法		普通寸法公差	符号	訂正年月日	記 事	印	出 図
単位	mm	- 以下 ±					
尺度	2/1	- 以下 ±					
数量		- 以下 ±					



初用機	材質	設計 - -	製図'96-02-02	担当	照査	承認
	処理					
品名	マグネチック ステレオ カートリッジ MAGNETIC STEREO CARTRIDGE	品番	MG-2861	訂	中央電子工業株式会社 CHUO DENSHI KOGYO CO., LTD.	

第3角図法		普通寸法公差	符号	訂正年月日	記 事	印	出 図
単位	mm	- 以下 ±					
尺度	2/1	- 以下 ±					
数量		- 以下 ±					



③	ダンパー	ポリム (IIR)	
②	カンチレバ- Ass'y		
①	スタイラス ノブ	ABS	ORANGE
No.	部品名	材質	備考

初用機	MG-2860	材質	設計 - -	製図' 96-02-02	担当	照査	承認
		処理					
品名		品番		類		中央電子工業株式会社	
スタイラス ノブ Ass'y STYLUS ASSEMBLY		CN-259					